

PFW 6870

Video Wall Pop-Out Module

INSTALLATION INSTRUCTIONS



Contents

Weight Limit.....	2
Warning Statements.....	2
Installation Tools.....	3
Parts List.....	3
Features.....	5
Installing the Mount.....	6
Introduction.....	6
Installing Optional Model Specific Spacers.....	8
Installing the Mounting Brackets.....	9
Selecting the Mounting Hardware.....	9
Universal Washer Installation.....	10
Universal Spacer Installation.....	10
Attaching the Mounting Brackets to the Flat-Panel.....	11
Mounting the Flat-Panel.....	11
Attaching the Flat-Panel to the Mount.....	11
Locking Safety Screw Installation.....	12
Post-Installation Adjustments.....	12
Maintenance and Servicing.....	15
Technical Specifications.....	16
Warranty.....	17

Weight Limit

Maximum Flat-panel Weight: **73 kg**

THE WALL STRUCTURE MUST BE CAPABLE OF SUPPORTING AT LEAST FIVE TIMES THE WEIGHT OF THE FLAT-PANEL. IF NOT, THE WALL STRUCTURE MUST BE REINFORCED.

Warning Statements



PRIOR TO THE INSTALLATION OF THIS PRODUCT, THE INSTALLATION INSTRUCTIONS MUST BE READ AND COMPLETELY UNDERSTOOD. KEEP THESE INSTALLATION INSTRUCTIONS IN AN EASILY ACCESSIBLE LOCATION FOR FUTURE REFERENCE.



PROPER INSTALLATION PROCEDURE BY A QUALIFIED SERVICE TECHNICIAN MUST BE FOLLOWED, AS OUTLINED IN THESE INSTALLATION INSTRUCTIONS. FAILURE TO DO SO COULD RESULT IN PROPERTY DAMAGE, SERIOUS PERSONAL INJURY, OR EVEN DEATH.



SAFETY MEASURES MUST BE PRACTICED AT ALL TIMES DURING THE ASSEMBLY OF THIS PRODUCT. USE PROPER SAFETY EQUIPMENT AND TOOLS FOR THE ASSEMBLY PROCEDURE TO PREVENT PERSONAL INJURY.



VOGEL'S DOES NOT WARRANT AGAINST DAMAGE CAUSED BY THE USE OF ANY VOGEL'S PRODUCT FOR PURPOSES OTHER THAN THOSE FOR WHICH IT WAS DESIGNED OR DAMAGE CAUSED BY UNAUTHORIZED ATTACHMENTS OR MODIFICATIONS, AND IS NOT RESPONSIBLE FOR ANY DAMAGES, CLAIMS, DEMANDS, SUITS, ACTIONS OR CAUSES OF ACTION OF WHATEVER KIND RESULTING FROM, ARISING OUT OF OR IN ANY MANNER RELATING TO ANY SUCH USE, ATTACHMENTS OR MODIFICATIONS.



At least two qualified people should perform the assembly procedure. Personal injury and/or property damage can result from dropping or mishandling the flat-panel.



If mounting to wall studs or ceiling studs, make sure that the mounting screws are anchored into the center of the wall studs or ceiling studs. Use of an edge-to-edge stud finder is recommended.



It is recommended that a maximum of 5/8" plaster board be used when mounting to wooden studs.



Be aware of the mounting environment. If drilling and/or cutting into the mounting surface, always make sure that there are no electrical wires in wall. Cutting or drilling into an electrical line may cause serious personal injury.



Make sure there are no water or natural gas lines inside the wall where the mount is to be located. Cutting or drilling into a water or gas line may cause severe property damage or personal injury.




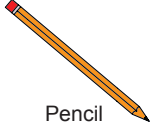
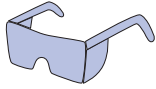


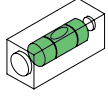
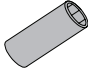

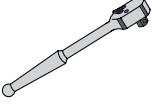
This product is intended for indoor use only. Use of this product outdoors could lead to product failure and/or serious personal injury.



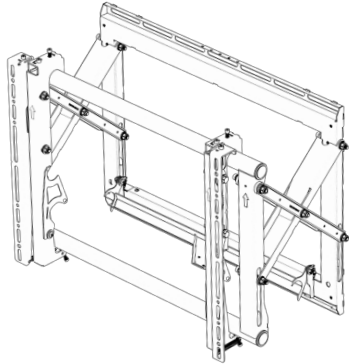
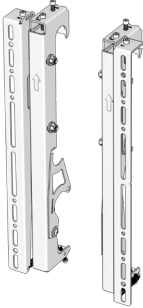

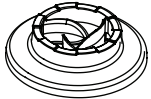

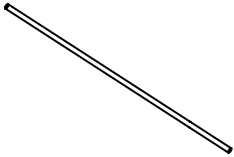
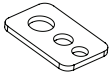
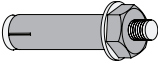

Do not install near sources of high heat. Do not install on a structure that is prone to vibration, movement or chance of impact.

Installation Tools

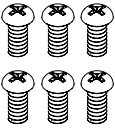
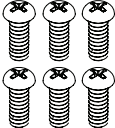
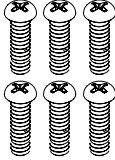
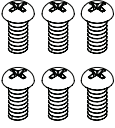
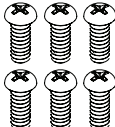
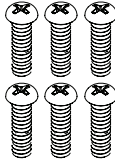
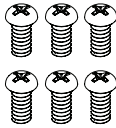
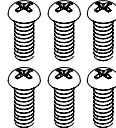
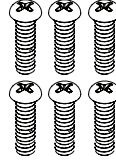
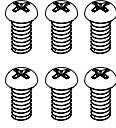
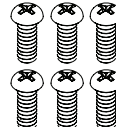
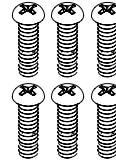
The following tools may be required depending on your installation.

 Electronic Stud Finder	 Pencil	 Protective Eyewear	 Portable Drill	 1/4" Drill Bit
 Level	 1/2" Socket	 Phillips Head Screwdriver	 Socket Wrench	

Parts List

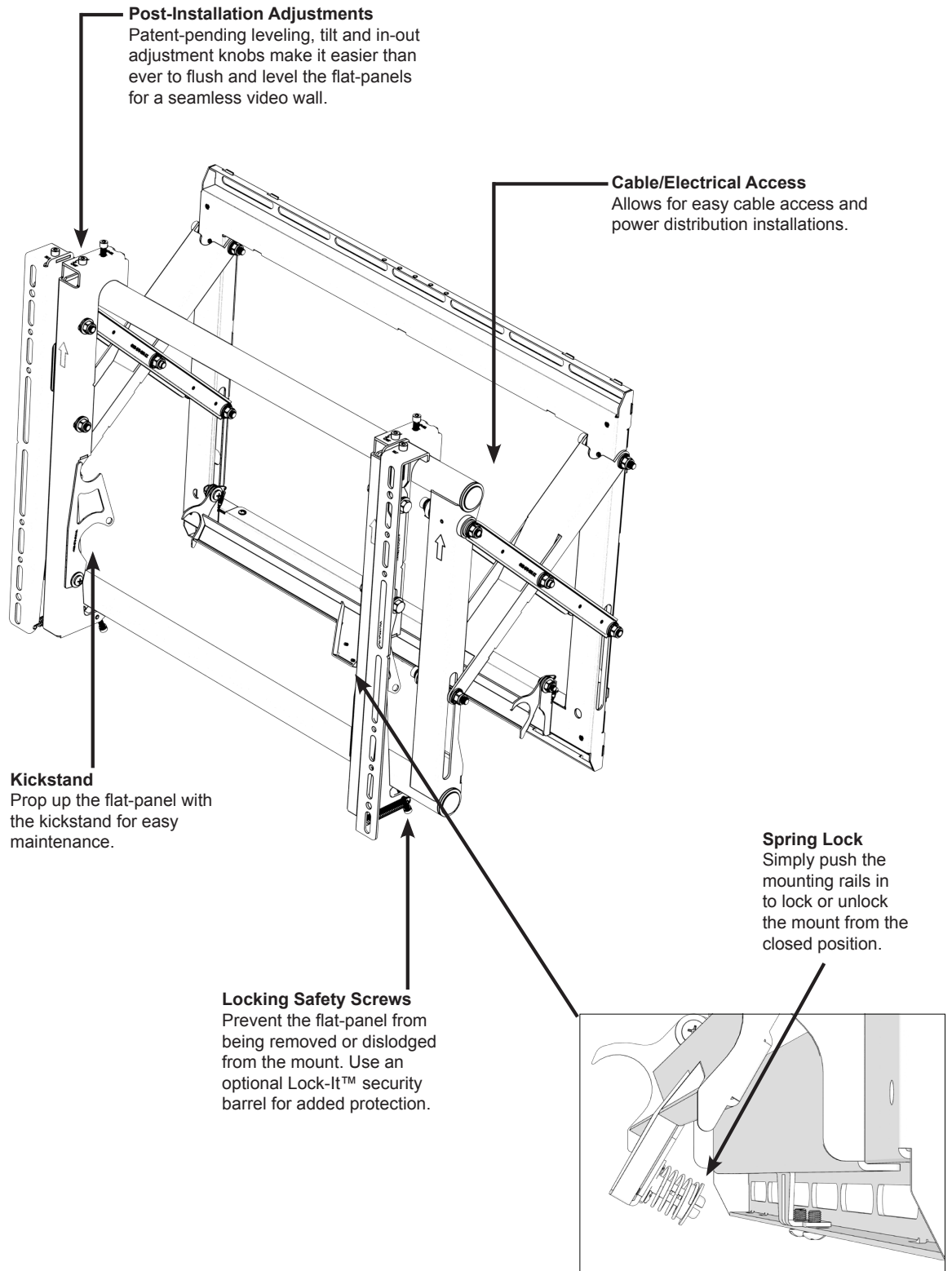
PFW 6870 Video Wall Pop-Out Module Assembly Components				
 One-Latch Mounting Base (Qty 1)		 Left and Right Mounting Bracket (Qty 1 Each)		
 5/16" Flat Washers (Qty 4)	 Universal Spacers (Qty 12)	 3/16" Allen Wrench (Qty 1)	 Thread Depth Indicator (Qty 1)	 Universal Washers (Qty 6)
Pro Mounting Hardware				
 5/16" Concrete Wedge Anchors (Qty 4)		 5/16" x 3" Lag Bolts (Qty 4)		

Parts List (cont'd)

Mounting Hardware	
<p>M4 x 12mm Screw (Qty 6)</p>	
<p>M4 x 16mm Screw (Qty 6)</p>	
<p>M4 x 25mm Screw (Qty 6)</p>	
<p>M5 x 12mm Screw (Qty 6)</p>	
<p>M5 x 16mm Screw (Qty 6)</p>	
<p>M5 x 25mm Screw (Qty 6)</p>	
<p>M6 x 12mm Screw (Qty 6)</p>	
<p>M6 x 16mm Screw (Qty 6)</p>	
<p>M6 x 25mm Screw (Qty 6)</p>	
<p>M8 x 12mm Screw (Qty 6)</p>	
<p>M8 x 16mm Screw (Qty 6)</p>	
<p>M8 x 25mm Screw (Qty 6)</p>	

Features

The PFW6870 Video Wall Pop-Out Module is a customizable video wall mounting system featuring multi-monitor stacking, open design, custom spacers and scissor mount extension. It has an extending scissor mount for easy installation, cable management and servicing. Spacers are custom designed for specific flat-panels.

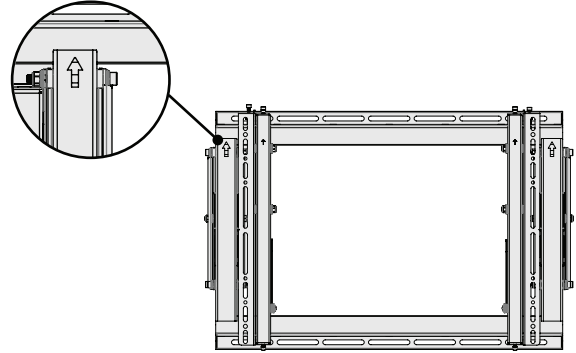


Installation

Introduction

Directional Mounting Arrow


The Directional Mounting Arrow stamped into the PFW 6870 mount indicates which edge is the top.



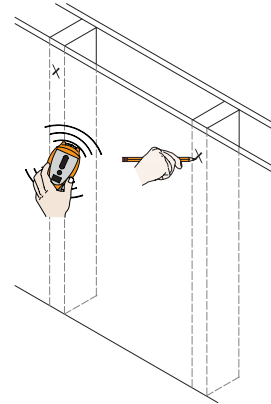
Mounting Safety

Two people are recommended to install the mount.

Step 1

 You must secure the mount to two (2) wall studs with four (4) lag bolts (2 lag bolts for each stud found).

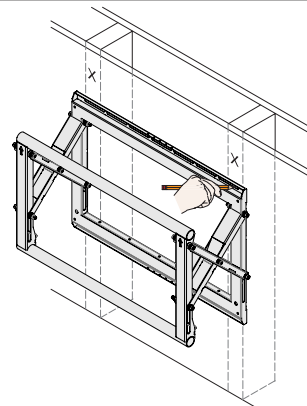
- 1) Use a stud finder to determine the exact center of wall studs in the vicinity of the mount.
- 2) Use a pencil to mark the exact center of each of the wall studs.



Step 2

Two people are recommended for this step; one person to level the mount and another person to mark the wall stud location.

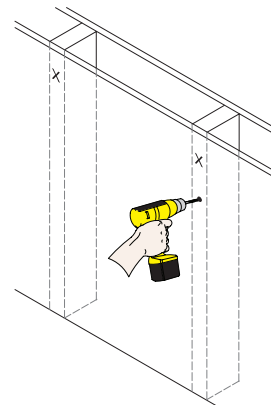
- 1) Place the mount against the wall in the desired viewing location.
- 2) Adjust the mount to align the mount slots in the mount with the center of the wall studs.
- 3) Level the mount.
- 4) Use a pencil to mark the upper right mounting location along the center of the wall stud.



Step 3

Drill a "pilot hole" in the center of the upper right mark using a 1/4" drill bit and power drill.

(Only use a 1/4" drill bit when drilling pilot holes.)

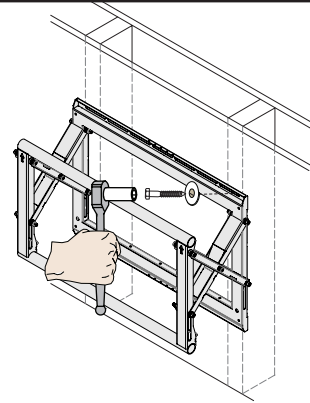


Installation

Step 4

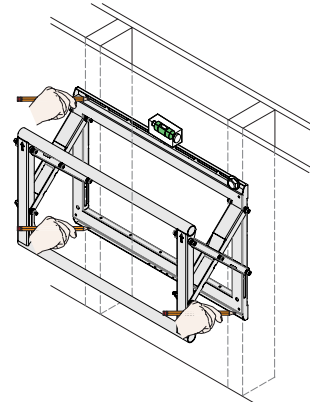
- 1) Place the mount against the wall and align it with the pilot hole.
- 2) Insert one (1) $\frac{5}{16}$ " x 3" lag bolt and one (1) $\frac{5}{16}$ " washer into the upper right pilot hole.
- 3) Use a socket wrench and a $\frac{1}{2}$ " socket to tighten the lag bolt.

Do not overtighten the lag bolt.




Step 5


- 1) Level the mount.
- 2) Use a pencil to mark the remaining four (4) mounting locations along the center of each wall stud.

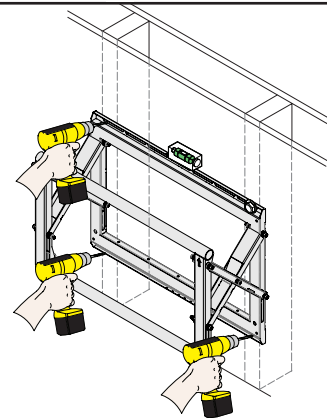


Step 6

-  Two people are recommended for this step; one person to level the mount and another person to drill the pilot holes.


Drill a "pilot hole" in the center of each of the marks with a power drill and a $\frac{1}{4}$ " drill bit.

-  Only use $\frac{1}{4}$ " drill bit when drilling the pilot holes.



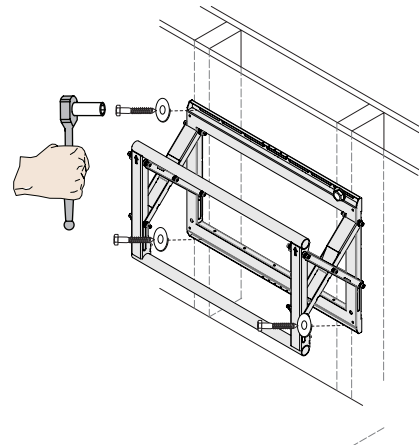
Step 7

- 1) Insert one (1) $\frac{5}{16}$ " x 3" lag bolt and one (1) $\frac{5}{16}$ " washer into each pilot hole
- 2) Tighten all lag bolts using a socket wrench and $\frac{1}{2}$ " socket.

-  Do not overtighten the lag bolts when attaching the mount to the wall. Improper installation may result in personal injury or property damage.

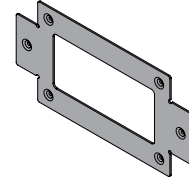
If you are using **OPTIONAL** model specific spacers, proceed to the "Installing Optional Model Specific Spacers" on page 8.

If not, proceed to "Installing the Mounting Bracket" on page 9.



Installing OPTIONAL Model Specific Spacers

PFW 6870's dedicated flat-panel spacers are engineered with the knowledge that aligning each flat-panel on a large wall is time consuming and costly. **These model-specific spacers** are available for most flat-panels, which significantly reduces the installation time. (Call Customer Service to inquire about model specific spacers.)

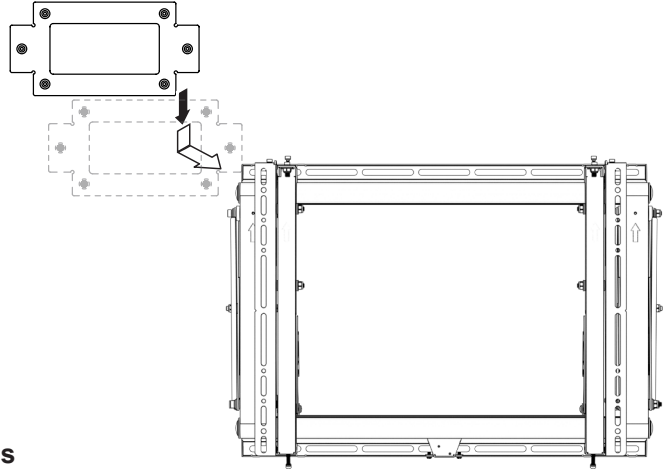
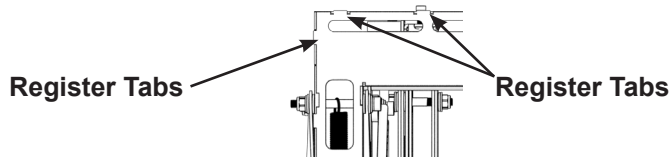


Step 1

 This spacer is shown for illustration purposes only. Your spacer may look different depending on the display model you are installing.

- 1) Once your PFW 6870 is mounted in the desired location and is level, align your spacer to the top left or right (depending on your install direction) corner register tabs of your mount.

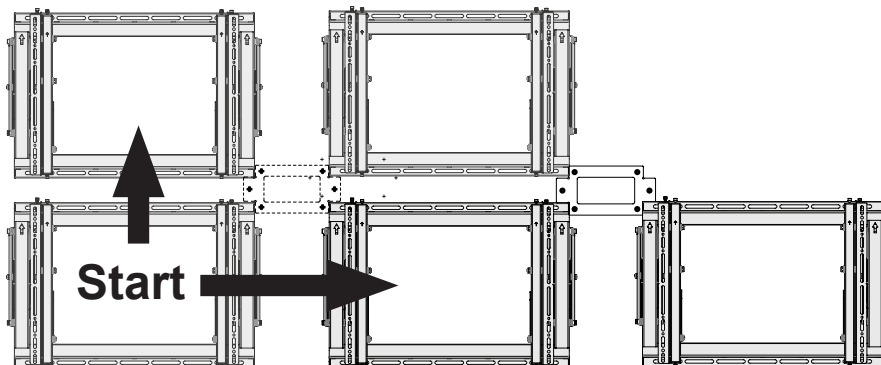
You may use commercially available hardware to secure the spacer to the wall during installation (depending on the wall material). You may utilize the same spacer for multiple PFW 6870 installations.



Step 2

Multiple PFW 6870 mounts can be installed using model specific spacers. Simply repeat step one when installing each of the surrounding PFW 6870 mounts. Use one spacer for each 2x2 installation by mounting it to the wall, or utilize the same spacer as many times needed to complete an unlimited PFW 6870 video wall pop-out module.


1. Make sure the spacer is plumb and level and mark each corner where the PFW 6870 will be mounted (or secure to the wall). It is best to start from the bottom corner and work your way up.
2. Install the second mount working in a horizontal direction.
3. Ensure that the mount remains plumb and level.
4. Repeat this step for each mount horizontally
5. To install multiple rows, place spacer between previously installed PFW 6870s on the bottom row. Make sure the spacer is plumb and level, mark the corners (or secure to the wall) to be sure of where the PFW 6870 should be and secure your mount to the wall.



Installing the Mounting Brackets

Selecting the Mounting Hardware

- 1) Insert a small straw or toothpick into the threaded inserts found on the back of the flat-panel.
- 2) Use a pencil to mark the depth of the threaded insert on the small straw or toothpick.
- 3) Mark the straw or toothpick 1/8" above the depth of the threaded insert, as shown in Figure 1.
- 4) Insert the small straw or toothpick into the remaining threaded inserts to compare and verify their depth using the straw or toothpick's 1/8" allowance mark.
- 5) Locate the correct diameter screw for the threaded insert.

 If the screw you selected is longer than the 1/8" allowance mark on the small straw or toothpick, as shown in Figure 2 and Figure 3, do not use this screw. The screw length must not bypass the mark.

- 6) Test each size of the screws provided.

The correct screws should thread easily into the mounting point and not pull out when tension is applied.

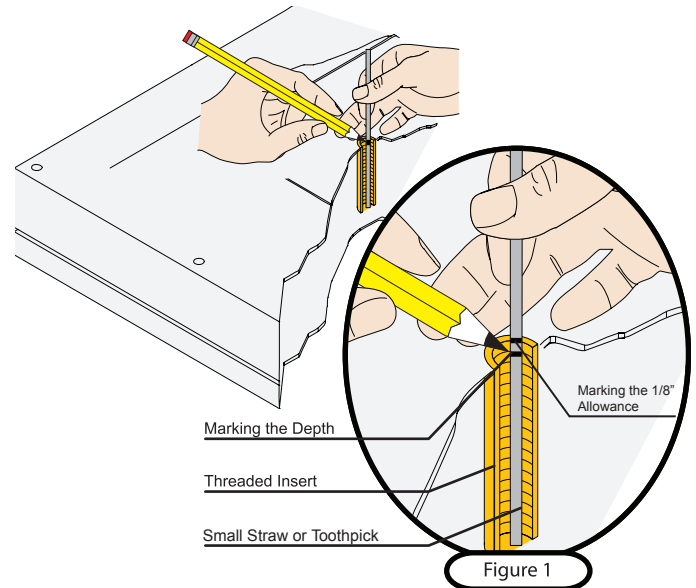
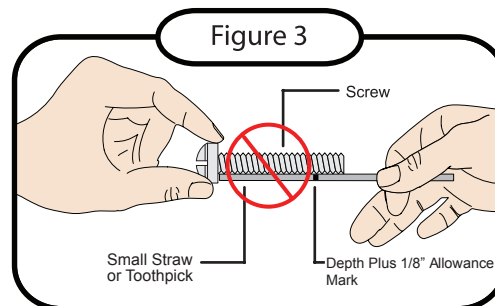
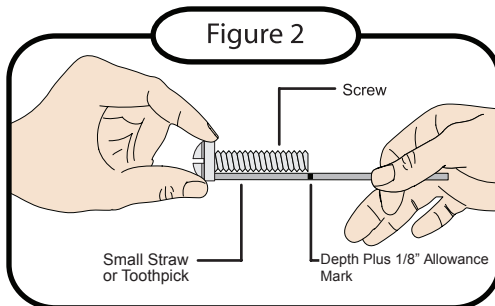


Figure 1

Go to "Griplate™ Washer Installation" on page 10



Installing the Mounting Bracket (cont'd)

Universal Washer Installation

Vogel's' Universal Washers are designed to accommodate the various M4, M5, M6 and M8 hole sizes required by flat-panels.

! Do not place excessive pressure on the back of the flat-panel, as this may damage your flat-panel.

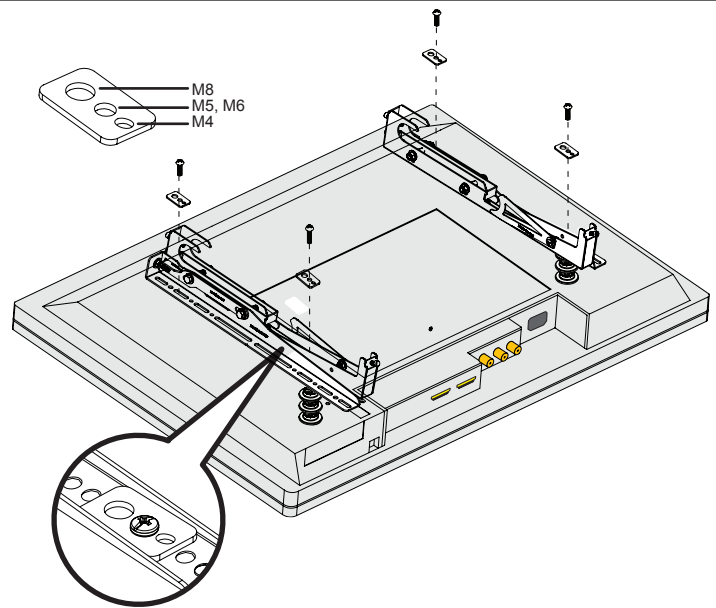
! The Universal Washer must be installed between the head of the mounting screw and the mounting bracket as shown.

STOP Does your flat-panel have:

- Recessed mount points?
- Uneven mount points?
- A curved back?
- Any obstruction near the mount point?

If **Yes**, you must install Universal Spacers. Remove the mounting brackets, Universal Washers, and mounting screws from the back of the flat-panel. **Proceed to the "Universal Spacer Installation" section.**

If **No**, skip to the "Attaching the Mounting Bracket to the Flat-Panel" section.



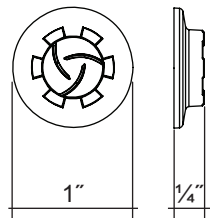
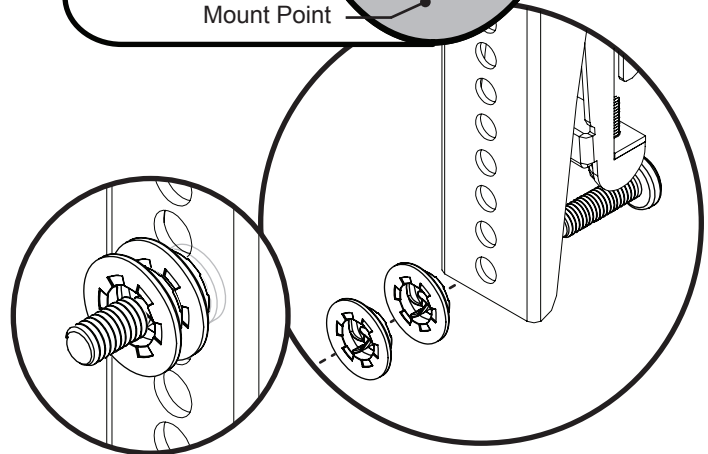
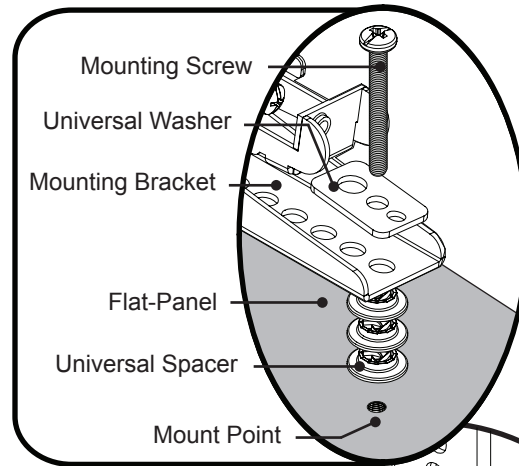
Universal Spacer Installation

Vogel's' Universal Spacers allow you to attach the mounting bracket to flat-panels which have recessed or uneven mount points. Each Universal Spacer adds 1/4" to the distance between the mounting bracket and your flat-panel.

! The Universal Spacers must be stacked and oriented as shown.

! The Universal Spacers must only be installed between the mounting bracket and your flat-panel.

Proceed to the "Attaching the Mounting Bracket to the Flat-Panel" section.



The Universal Spacers

Fit M4, M5, M6 and M8 screw sizes.

Installing the Mounting Brackets (cont'd)

Attaching the Mounting Brackets to the Flat-Panel

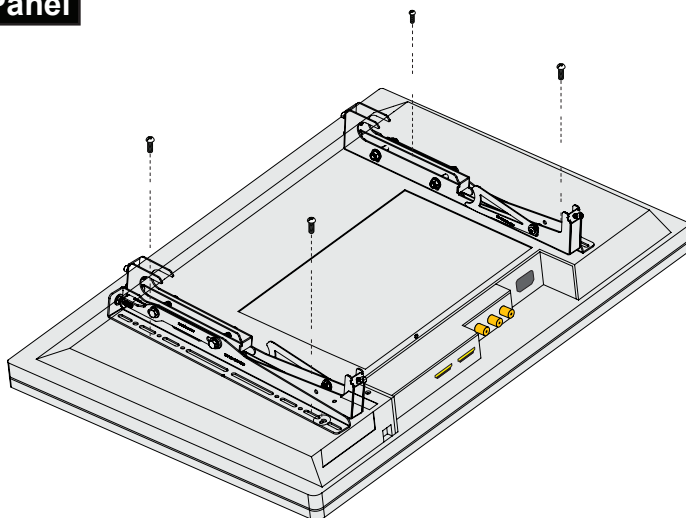
This section presumes that you have read and understood the "Selecting the Proper Mounting Hardware" section.

- 1) Place your flat-panel screen-side down on a soft, flat surface.
- 2) Identify the number and location of the thread inserts on the back of your flat-panel.
- 3) Aligning the holes on each mounting bracket with the thread inserts on the back of your flat-panel.
- 4) Secure each mounting bracket to your flat-panel by inserting a minimum of two (2) screws per bracket.

Do not overtighten the mounting hardware.

Make sure the directional arrows on the mounting brackets are facing up.

Proceed to the "Mounting the Flat-Panel" below.



Mounting the Flat-Panel

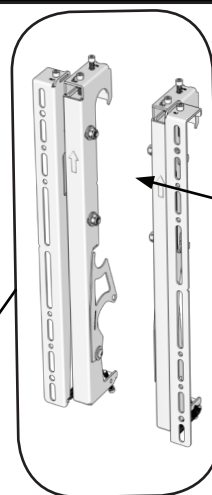
Attaching the Flat-Panel to the Mount

Mounting bracket adjustments are factory pre-set (see **Note**).

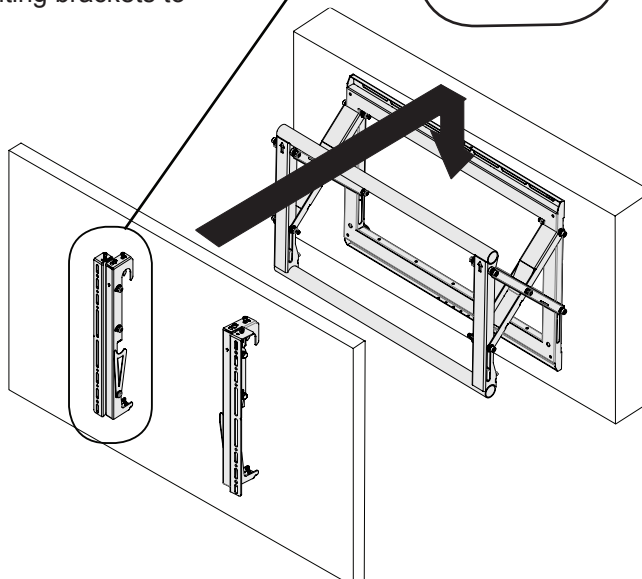
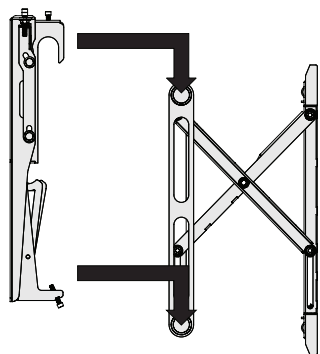
This section requires two people.

Do not release your flat-panel until you are certain that top and bottom hooks of both mounting brackets are securely seated on the upper and lower mounting rails of the wall panel.

- 1) Raise the flat-panel past the top and bottom mounting rails on the wall panel.
- 2) Slide the flat-panel down slowly, keeping it close to the wall.
- 3) Engage the top and bottom mounting brackets to the rails of the mount.



Note: These registers must align prior to installation. They are factory set. Check to determine proper alignment



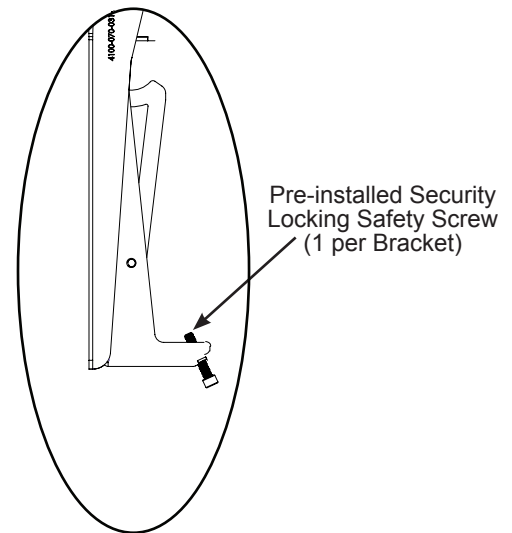
Locking Safety Screw Installation

! The locking safety screws keep the flat-panel from being accidentally dislodged from the PFW 6870.

- 1) Locate the pre-installed security locking safety screw at the bottom of each of the mounting brackets.
- 2) Use the Allen key (supplied) to tighten the locking safety screw.

! Do not overtighten the locking safety screws.

Proceed to the “Post-Installation Adjustments” below.



Post-Installation Adjustments

The PFW 6870 has a set of post-installation adjustments on each mounting bracket (Figure 1).

Use Allen key (supplied) to fine-tune adjust.

! Make sure the the locking safety screws are loosened before making adjustments.

Note: Screws have a limited travel adjustment. Do not overtighten or over adjust the screw to avoid damage to threaded holes.

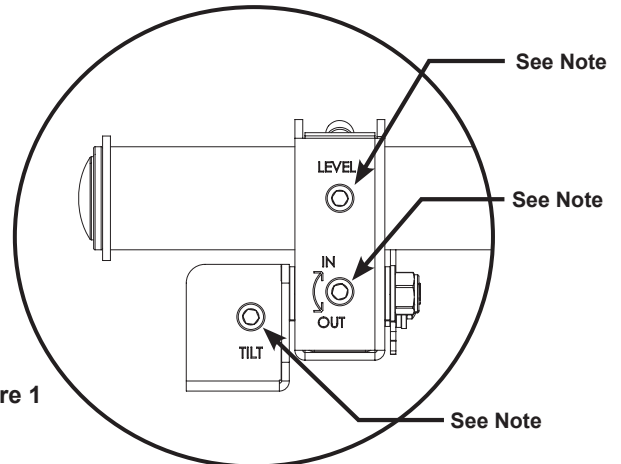


Figure 1

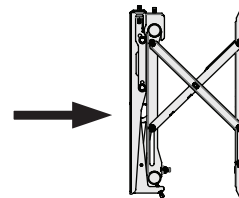
Move Inward



Left Control



Right Control



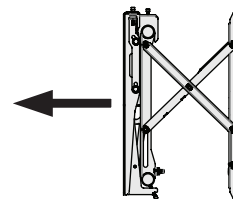
Move Outward



Left Control



Right Control



Post-Installation Adjustments (cont'd)

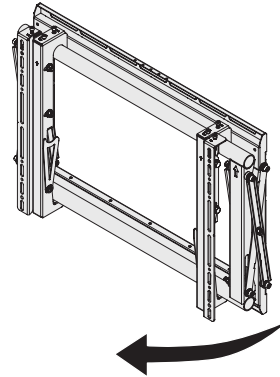
Tilt Left



Left Control



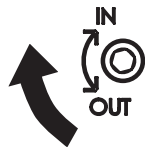
Right Control



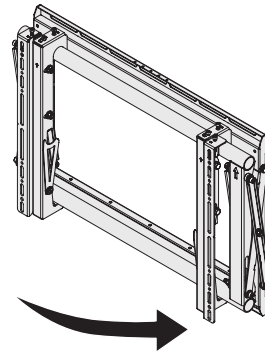
Tilt Right



Left Control



Right Control



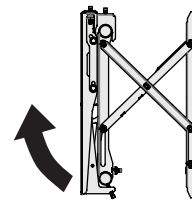
Tilt Up



Left Control



Right Control



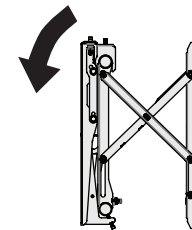
Tilt Down (from tilted-up position)



Left Control



Right Control



Post-Installation Adjustments (cont'd)

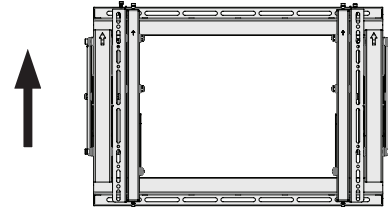
Level Up



Left Control



Right Control



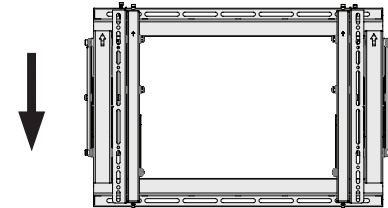
Level Down (from leveled up position)



Left Control



Right Control



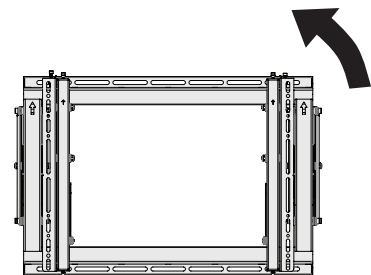
Rotate Left



Left Control



Right Control



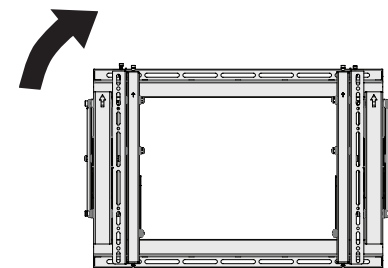
Rotate Right



Left Control



Right Control



Maintenance and Servicing

- 1) Push evenly in the front of the PFW 6870 to release the single latch spring lock (Figure 1).
- 2) Slowly pull the front of the PFW 6870 to extend the scissor arms (Figure 2).
- 3) Loosen the locking safety screws on both mounting brackets.
- 4) Tilt up the bottom of the flat-panel, then set their kickstands against the bottom tubing of the mount (Figures 2 & 3).

You can now reach behind the flat-panel for maintenance and servicing or replacement. After servicing, make sure the spring lock is locked again in the mount's closed position.

Single Latch Spring Lock

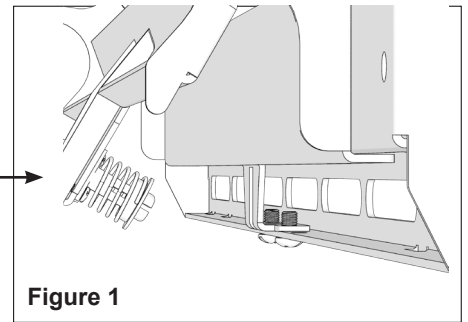


Figure 1

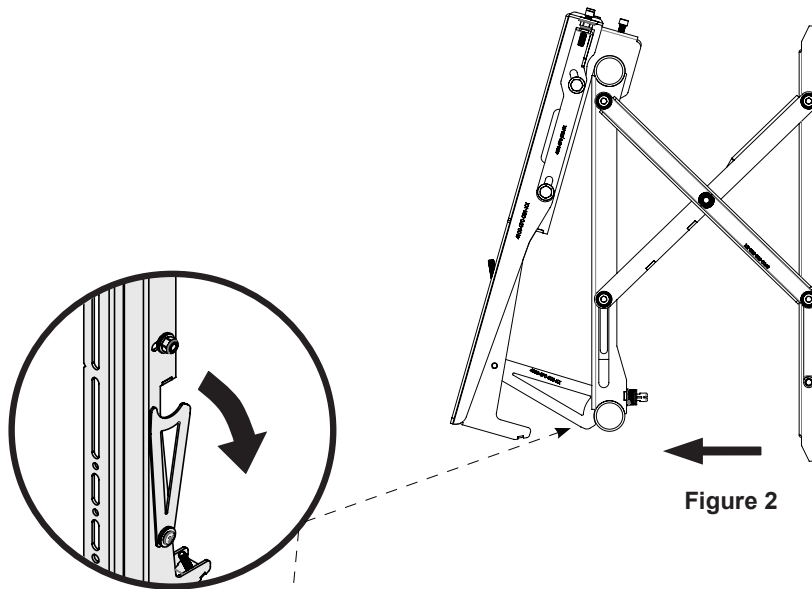


Figure 2

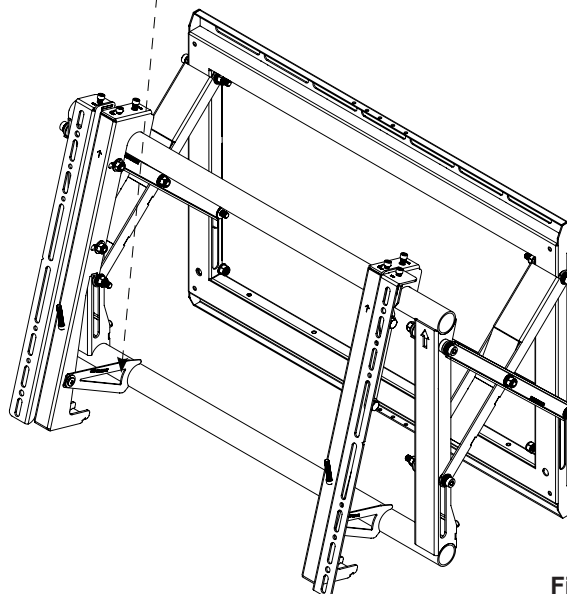


Figure 3

Technical Specifications

All measurements are in inches [millimeters].

