

## PPC 1555 PROJECTOR CEILING MOUNT WHITE

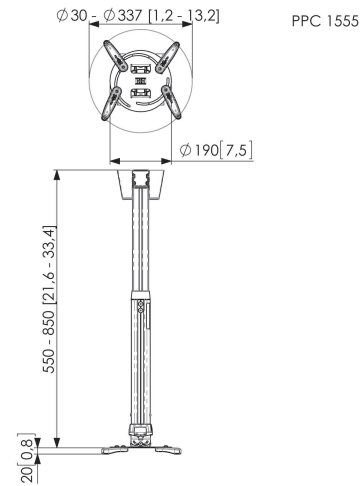
The PPC 1555 is a height adjustable projector mount specially designed for the latest generation of projectors weighing up to 15 kg. This projector interface is equipped with fine tune adjustability for precise alignment to the projection surface. Once aligned, the projector stays in position. Turning the unique friction ring will eliminate all play from the interface connections, making the mount a solid and very stable solution.

**Supplemental colors**

Zilver

**Guarantee**

5 years



## PPC 1555 PROJECTOR CEILING MOUNT WHITE

The height adjustable projector ceiling mount kits can be used when the height of the ceiling is not known or when flexibility is wanted. These mounts come in 3 lengths offering variable height adjustment from 400 to 1350 mm. The CIS® Cable Inlay System runs the full length of the pole and even allows for cable routing after installation. The CIS® offers sufficient space for all cables required and enables you to hide all the cables in a matter of seconds.

### Features

- Adjustable height
- Easy mounting
- Ceiling plate suitable for inclined and flat ceilings
- Cover included for false ceilings
- Fine tune adjustability

### Logistic information

<b>EAN Code Product</b>	8712285325182
<b>Net weight (kg)</b>	3.9
<b>Single Box Width (mm)</b>	258
<b>Single Box Length (mm)</b>	568
<b>Single Box Height (mm)</b>	136