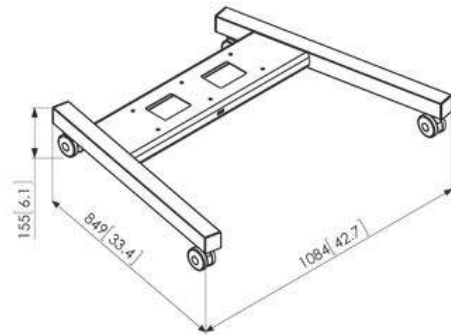


## PFT 8530 Trolley frame extra large, black

The PFT8530 trolley frame is a part of the modular Connect-it system with which you can create a mobile solution. The double pole construction allows it to be used for large- to extra large-sized displays. The extra stability makes it ideal for interactive displays.

**Guarantee**

**5 years**



## PFT 8530 Trolley frame extra large, black

Vogel's Connect-it floor solutions (floor stands and trolleys) is a uniquely flexible system. With only a few standard components, you can create a solution for almost any requirement. From a single display floor stand in a shop window, a back-to-back display set-up in an airport, to a movable video conferencing set-up for corporate use, the flexible Connect-it floor solutions line fits every situation. Connect-it floor solutions can accommodate displays from small to extra large, weighing up to 160 kg. Connect-it floor modules are available in black and silver to fit any interior décor.

## Features

### Logistic information

<b>EAN Code Product</b>	8712285323942
<b>Net weight (kg)</b>	19.9
<b>Single Box Width (mm)</b>	1149
<b>Single Box Length (mm)</b>	904
<b>Single Box Height (mm)</b>	234