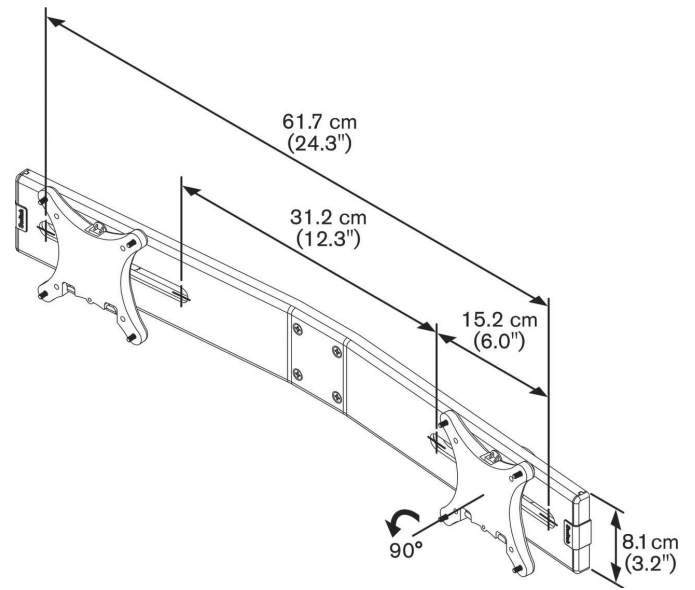




**PFA 9102  
Dual monitor adapter**

More and more people are using two monitors at a time. This is very easy to install with the PFA 9102.

## PFA 9102 Dual monitor adapter



The two monitors will be perfectly aligned next to each other and move as one monitor. PFA 9102 is available for mounting two monitors vertically above each other. This mount supports up to 6.5 kg for each monitor. PFA 9102 fits the PFD 8522, 8523, 8541 and 8543.

### Features

- Must be combined with PFD desk mount
- Can be used horizontally or vertically



### Logistic information

- Packaging size: 127x705x70 mm
- Max. weight: 3 kg / 7 lbs
- EAN Code: 8712285318382