

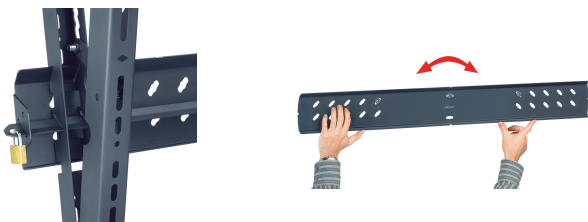
Wall mount tilt PFW 5210



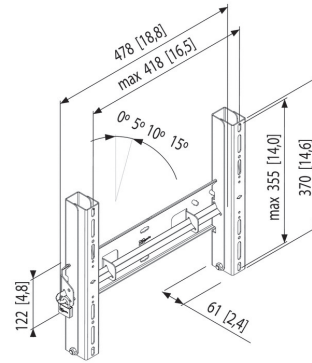
Specifications

- Screen size (Min. - Max.): 23 – 32 " / 58 – 81 cm
- Max. weight: 75 kg / 165 lbs
- Tilt: 15 °
- Min. distance to the wall (mm): 61 mm
- VESA mounting holes: 75x75mm up to 418x355mm
- Guarantee: 5 years
- Available colours: Black

These mounts have a tilt function and have a solid security bar and padlock for theft prevention yet making the display easily accessible for service.



Wall mount tilt PFW 5210



Vogel's new professional 5000 Series wall mounts offer high levels of theft protection for flat displays used in public areas that cannot be continually supervised. This is a versatile product line that provides extra features for theft prevention and quick and easy installation. A sturdy lock secures displays effectively and very closely to the wall to prevent removal. These mounts have a clean and elegant look and take up a minimum amount of space, yet making the display easily accessible for display service. The unique built-in levelling function in the wall plate makes life a lot easier for installers. It helps them to correct the levelling during installation.

Features

- Tilt function 0-5-10-15°
- Built-in wall plate level function
- Locking bar + padlock included

Logistic information

- Packaging size: 195x535x95 mm
- Max. weight: 4 kg / 9 lbs
- EAN Code: 8712285316548