

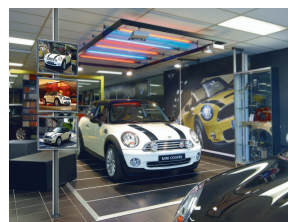
Floor plate PFA 9101



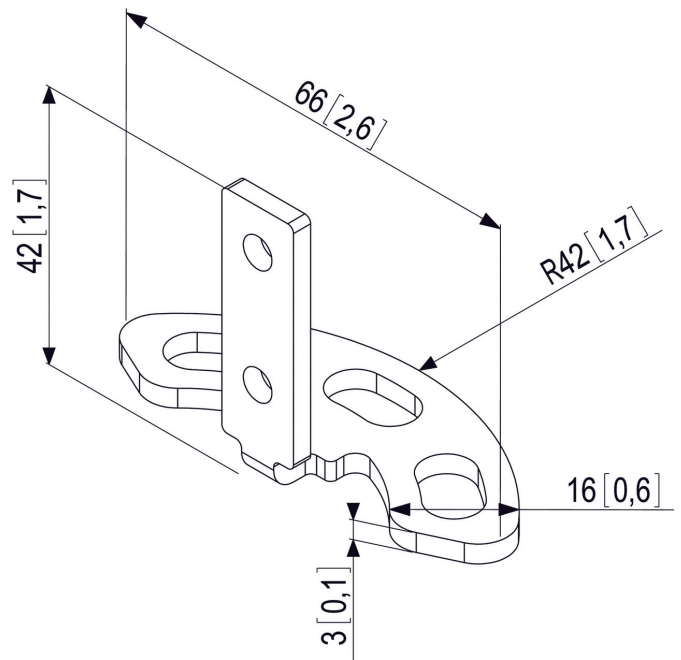
Specifications

- Guarantee: 5 years
- Available colours: Silver/Aluminium

The PFA 9101 floor plate is a part of the modular Connect-it system with which you can create your own floor/ceiling solution for small- to medium-sized displays.



Floor plate PFA 9101



Combine this floor plate with one of the Connect-it ceiling plates (PUC 1010, PUC 1030 or PUC 1040), one of the poles from the Connect-it Series (PUC 2308, PUC 2315 or PUC 2330) and the Connect-it display interface PFI 3040 for a complete floor/ceiling solution.

Features

- Fits on PUC 23xx poles
- Quick and easy installation

Logistic information

- Packaging size: 136x158x69 mm
- Max. weight: 0 kg / 1 lbs
- EAN Code: 8712285318269