



150 cm pole  
PUC 2315

## Specifications

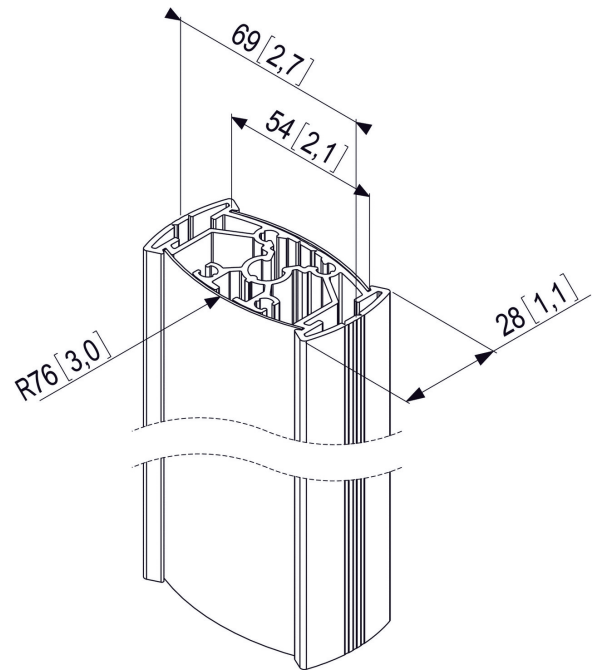
---

- Max. weight: 30 kg / 66 lbs
- Guarantee: 5 years
- Available colours: Silver/Aluminium

The PUC 2315 is a 150 cm pole and is a part of the modular Connect-it system with which you can create your own ceiling solution for small- to medium-sized displays.



## 150 cm pole PUC 2315



The PUC 2315 is equipped with a double CIS<sup>®</sup> cable duct system with which you can quickly and simply ensure that all cables are concealed. The pole is made of aluminium and, therefore, it can be easily cut at the required length. The Connect-it poles can be easily customised by the user. By sticking on the plastic cover strip on the Connect-it pole or by replacing it by your own strip, it can be adjusted to the house style of the interior. Multiple displays can be installed on top of each other or back-to-back by using the PFI 3040 interface. Combine this pole with one of the Connect-it ceiling plates (PUC 1010, PUC 1030 or PUC 1040) or the truss adapter (PUC 1050) and a Connect-it interface (PFI 3010, PFI 3020, PFI 3030 or PFI 3040) for a complete ceiling solution.

## Features

- A solution for almost every situation
- Quick and easy installation
- Easy to customize
- Stylish design

## Logistic information

- Packaging size: 102x1540x78 mm
- Max. weight: 3 kg / 7 lbs
- EAN Code: 8712285317224